



# SMART PRESSURE TRANSMITTER APCE-2000



- ✓ 4...20 mA output signal + HART protocol
- ✓ ATEX Intrinsic safety
- ✓ Accuracy 0.1%
- ✓ Rangeability 100:1
- ✓ Gold plated diaphragm (Au)

### Application

The APCE-2000 pressure transmitter is applicable to the measurement of the pressure, underpressure or absolute pressure of gases, vapours and liquids. The active sensing element is a piezoresistant silicon sensor separated from the medium by a diaphragm and by specially selected type of manometric liquid.

### PD version

Economical version:

- housing 304ss
- protection IP65
- electrical connection DIN 43650
- the electronics encased in a protective silicon gel
- ATEX Intrinsic safety

II 1/2G Ex ia IIC T4/T5/T6 Ga/Gb  
II 1D Ex ia IIIC T110°C Da  
I M1 Ex ia I Ma

### APCE-2000PD



### APCE-2000PZ

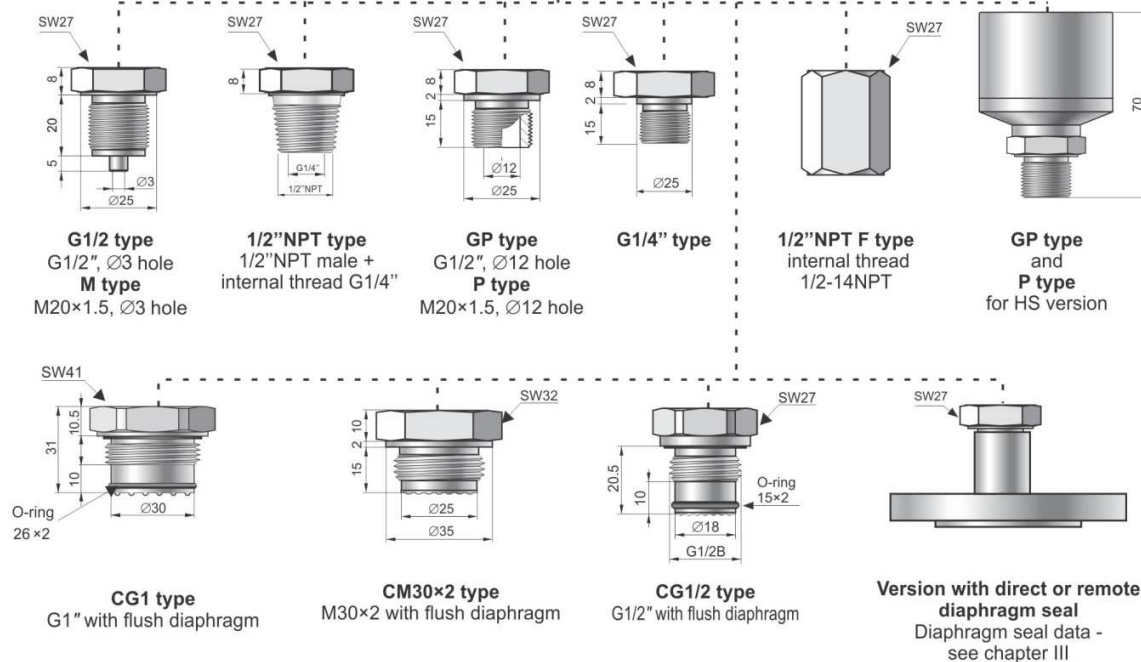


### PZ version

Version designed to work in hard conditions:

- housing material: 304SS
- protection IP66
- the electronics encased in a protective silicon gel
- cup with knurled handgrip
- ATEX Intrinsic safety

II 1/2G Ex ia IIC T4/T5/T6 Ga/Gb  
II 1D Ex ia IIIC T110°C Da  
I M1 Ex ia I Ma



### Communication and configuration

The communication standard for data interchange with the transmitter is the Hart protocol. The data interchange with the transmitter enables users to:

Communication with the transmitter is carried out with:

- a KAP-03, KAP-03Ex communicator
  - some other Hart type communicators, (□)
  - a PC using an HART/USB/Bluetooth converter and Raport 2 configuration software.
- (□) .edd1 files available on [www.aplisens.com](http://www.aplisens.com).

- ? identify the transmitter
- ? configure the output parameters:
  - measurement units and the values of the start points and end points at the measurement range
  - damping time constant
  - conversion characteristic (inversion, user's non-linear characteristic)
- ? read the currently measured pressure value of the output current and the percentage output control level
- ? force an output current with a set value
- ? calibrate the transmitter in relation to a model pressure



### Installation

The transmitter is not heavy, so it can be installed directly on the installation without additional mounting brackets. When the pressure of steam or other hot media is measured, a siphon or impulse line should be used. The needle valve placed upstream the transmitter simplifies installation process and enables the zero point adjustment or the transmitter replacement. When the special process connections are required for the measurement of levels and pressures (e.g. at food and chemical industries), the transmitter is provided with an Aplisens diaphragm seal. Installing accessories and a full scope of diaphragm seals are described in detail in the further part of the catalogue. The transmitter's electrical connection should be performed with twisted cable. The place for the communicator should be assigned before the communication cable installation.

### Measuring ranges

No.	Nominal measuring range (FSO)	Minimum set range	Rangeability	Overpressure limit (without hysteresis)
1	0...1000bar (0...100 MPa)	10bar (1 MPa)	100:1	1200 bar (120 MPa)
2	0...300 bar (0...30 MPa)	3 bar (300 kPa)	100:1	450 bar (45 MPa)
3	0...160 bar (0...16 MPa)	1,6 bar (160 kPa)	100:1	450 bar (45 MPa)
4	0...70 bar (0...7 MPa)	0,7 bar (70 kPa)	100:1	140 bar (14 MPa)
5	0...25 bar (0...2,5 MPa)	0,25 bar (25 kPa)	100:1	50 bar (5 MPa)
6	0...7 bar (0...0,7 MPa)	0,07 bar (7 kPa)	100:1	14 bar (1,4 MPa)
7	-1...7bar (-100...700 kPa)	0,07 bar (7 kPa)	114:1	14 bar (1,4 MPa)
8	-1...1,5bar (-100...150 kPa)	0,12 bar (12 kPa)	20:1	4 bar (400 kPa)
9	0...2 bar (0...200 kPa)	100 mbar (10 kPa)	20:1	4 bar (400 kPa)
10	0...1 bar (0...100 kPa)	50 mbar (5 kPa)	20:1	2 bar (200 kPa)
11	-0,5...0,5 bar (-50...50 kPa)	50 mbar (5 kPa)	20:1	2 bar (200 kPa)
12	0...0,25 bar (0...25 kPa)	25 mbar (2,5 kPa)	10:1	1 bar (100 kPa)
13	-100...100 mbar (-10...10 kPa)	20 mbar (2 kPa)	10:1	1 bar (100 kPa)
14	-15...70 mbar □ (-1,5...7 kPa)	5 mbar (0,5 kPa)	17:1	0,5 bar (50 kPa)
15	-25...25 mbar □□ (-2,5...2,5 kPa)	2 mbar (0,2 kPa)	25:1	1 bar (100 kPa)
16	-7...7 mbar □□□ (-0,7...0,7 kPa)	1 mbar (0,1 kPa)	14:1	1 bar (100 kPa)
17	0...1,3 bar abs (0...130 kPa abs)	100 mbar abs (10 kPa abs)	13:1	2 bar (200 kPa)
18	0...7 bar abs (0...0,7 MPa abs)	100 bar abs (10 kPa abs)	70:1	14 bar (1,4 MPa)
19	0...25 bar abs (0...2,5 MPa abs)	0,25 bar abs (25 kPa abs)	100:1	50 bar (5 MPa)
20	0...70 bar abs (0...7 MPa abs)	0,7 bar abs (70 kPa abs)	100:1	140 bar (14 MPa)

- transmitters not available with diaphragm seal
- transmitters available only in HS version
- overpressure limit can be different for version according to PED norm EN 97/23/EC

### Technical data

#### Metrological parameters

**Accuracy**  $\Delta \pm 0,1\%$  of the calibrated range

**Long-term stability**  $\Delta$  accuracy for 3 years  
(for the nominal measuring range)  $\Delta 2 \times$  accuracy for 5 years  
HS version:  $\Delta$  accuracy for 6 years

**Thermal error**  $< \pm 0,08\%$  (FSO) /  $10^\circ\text{C}$   
(0,1% for ranges 13, 14, 16)  
max.  $\pm 0,25\%$  (FSO) in the whole compensation range  
(0,4% for ranges 13, 14, 16)

**Thermal compensation range** -25...80°C  
Special version: -40...80°C

**Response time** 16...230ms

**Additional electronic damping** 0...60 s

**Error due to supply voltage changes** 0,002% (FSO) / V

#### Electrical parameters

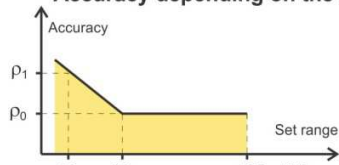
**Power supply:** 7,5...55 VDC (Ex ia 7,5...28 VDC)

**Output signal** 4...20 mA, two wire transmission

**Loadresistance**  $R[\Omega] \leq \frac{U_{\text{sup}}[V] - 7,5V}{0,0225A}$

**Resistance required for communication** min. 240  $\Omega$

#### Accuracy depending on the set range



$\rho_0$  – error for nominal measuring range (0...100% FSO)  
 $\rho_1$  – error for range 0...10% FSO

$$\rho_1 = 2 \times \rho_0$$

Numerical error values are given in the technical data under metrological parameters

#### Materials

**Wetted parts and diaphragms:** SS316L, Hastelloy C 276, Au  
**Casing:** SS304

#### Operating conditions

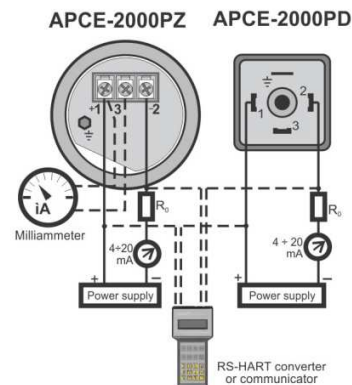
**Operating temperature range (ambient temp.)** -40...85°C  
Ex version -40...80°C

**Medium temperature range** -40...120°C

over 120°C – measurement with use an impulse line or diaphragm seals

CAUTION: the medium must not be allowed to freeze in the impulse line or close to the process connection of the transmitter

#### Electrical diagram





### Ordering procedure

Model	Code	Description																																										
APCE-2000		Smart pressure transmitter																																										
Casing, output signal, electrical connection	/PD..... /PZ.....	Housing IP65 with DIN43650 connector, without display, output 4-20mA + Hart 304SS housing, IP66, without display, output 4-20mA + Hart packing gland M20x1,5																																										
Versions, certificates	/Exia.....  /PED..... /HS..... /Tlen..... /-60...+50°C.....	<p>II 1/2G Ex ia IIC T4/T5/T6 Ga/Gb II 1D Ex ia IIC T110°C Da I M1 Ex ia I Ma</p> <p>Exia for HS version available from 2016 European Pressure Equipment Directive N° 97/23/EC, category IV Ultra stable version (only ranges no. 13+16) For oxygen service (sensor filled with Fluorolube fluid), only M and G1/2 connection Extended thermal compensation range -60 + 50°C</p>																																										
more than one option is available																																												
Nominal measuring range	/0+1000 bar..... /0+300 bar..... /0+160 bar..... /0+70 bar..... /0+25 bar..... /0+7 bar..... /-1+7 bar..... /-1+1,5 bar..... /0+2 bar..... /0+1 bar..... /-0,5+ +0,5 bar..... /0+0,25 bar..... /-100+100 mbar..... /-15+70 mbar..... /-25+25 mbar..... /-7+7 mbar..... /0+1,3 bar ABS..... /0+7 bar ABS..... /0+25 bar ABS..... /0+70 bar ABS.....	<table border="1"> <thead> <tr> <th>Range</th> <th>Min. set range</th> </tr> </thead> <tbody> <tr><td>0+1000 bar (0+100 MPa)</td><td>10 bar (1 MPa)</td></tr> <tr><td>0+300 bar (0+30 MPa)</td><td>3 bar (300 kPa)</td></tr> <tr><td>0+160 bar (0+16 MPa)</td><td>1,6 bar (160 kPa)</td></tr> <tr><td>0+70 bar (0+7 MPa)</td><td>0,7 bar (70 kPa)</td></tr> <tr><td>0+25 bar (0+2,5 MPa)</td><td>0,25 bar (25 kPa)</td></tr> <tr><td>0+7 bar (0+700 kPa)</td><td>0,07 bar (7 kPa)</td></tr> <tr><td>-1+7 bar (-100+700 kPa)</td><td>0,07 bar (7 kPa)</td></tr> <tr><td>-1+1,5 bar (-100+150 kPa)</td><td>120 mbar (12 kPa)</td></tr> <tr><td>0+2 bar (0+200 kPa)</td><td>100 mbar (10 kPa)</td></tr> <tr><td>0+1 bar (0+100 kPa)</td><td>50 mbar (5 kPa)</td></tr> <tr><td>-0,5+0,5 bar (-50+50k Pa)</td><td>50 mbar (5 kPa)</td></tr> <tr><td>0+0,25 bar (0+25 kPa)</td><td>25 mbar (2,5 kPa)</td></tr> <tr><td>-100+100mbar (-10+10 kPa)</td><td>20 mbar (2 kPa)</td></tr> <tr><td>-15+70 mbar (-1,5+7 kPa)</td><td>5 mbar (0,5 kPa)</td></tr> <tr><td>-25+25 mbar (-2,5+2,5 kPa)</td><td>2 mbar (0,2 kPa)</td></tr> <tr><td>-7+7 mbar (-0,7+0,7 kPa)</td><td>1 mbar (0,1 kPa)</td></tr> <tr><td>0+1,3 bar absolute pressure (0+130 kPa ABS)</td><td>50 mbar ABS (5 kPa ABS)</td></tr> <tr><td>0+7 bar absolute pressure (0+700 kPa ABS)</td><td>70 mbar ABS (7 kPa ABS)</td></tr> <tr><td>0+25 bar absolute pressure (0+2,5 MPa ABS)</td><td>0,25 bar ABS (25 kPa ABS)</td></tr> <tr><td>0+70 bar absolute pressure (0+7 MPa ABS)</td><td>0,7 bar ABS (70 kPa ABS)</td></tr> </tbody> </table>	Range	Min. set range	0+1000 bar (0+100 MPa)	10 bar (1 MPa)	0+300 bar (0+30 MPa)	3 bar (300 kPa)	0+160 bar (0+16 MPa)	1,6 bar (160 kPa)	0+70 bar (0+7 MPa)	0,7 bar (70 kPa)	0+25 bar (0+2,5 MPa)	0,25 bar (25 kPa)	0+7 bar (0+700 kPa)	0,07 bar (7 kPa)	-1+7 bar (-100+700 kPa)	0,07 bar (7 kPa)	-1+1,5 bar (-100+150 kPa)	120 mbar (12 kPa)	0+2 bar (0+200 kPa)	100 mbar (10 kPa)	0+1 bar (0+100 kPa)	50 mbar (5 kPa)	-0,5+0,5 bar (-50+50k Pa)	50 mbar (5 kPa)	0+0,25 bar (0+25 kPa)	25 mbar (2,5 kPa)	-100+100mbar (-10+10 kPa)	20 mbar (2 kPa)	-15+70 mbar (-1,5+7 kPa)	5 mbar (0,5 kPa)	-25+25 mbar (-2,5+2,5 kPa)	2 mbar (0,2 kPa)	-7+7 mbar (-0,7+0,7 kPa)	1 mbar (0,1 kPa)	0+1,3 bar absolute pressure (0+130 kPa ABS)	50 mbar ABS (5 kPa ABS)	0+7 bar absolute pressure (0+700 kPa ABS)	70 mbar ABS (7 kPa ABS)	0+25 bar absolute pressure (0+2,5 MPa ABS)	0,25 bar ABS (25 kPa ABS)	0+70 bar absolute pressure (0+7 MPa ABS)	0,7 bar ABS (70 kPa ABS)
Range	Min. set range																																											
0+1000 bar (0+100 MPa)	10 bar (1 MPa)																																											
0+300 bar (0+30 MPa)	3 bar (300 kPa)																																											
0+160 bar (0+16 MPa)	1,6 bar (160 kPa)																																											
0+70 bar (0+7 MPa)	0,7 bar (70 kPa)																																											
0+25 bar (0+2,5 MPa)	0,25 bar (25 kPa)																																											
0+7 bar (0+700 kPa)	0,07 bar (7 kPa)																																											
-1+7 bar (-100+700 kPa)	0,07 bar (7 kPa)																																											
-1+1,5 bar (-100+150 kPa)	120 mbar (12 kPa)																																											
0+2 bar (0+200 kPa)	100 mbar (10 kPa)																																											
0+1 bar (0+100 kPa)	50 mbar (5 kPa)																																											
-0,5+0,5 bar (-50+50k Pa)	50 mbar (5 kPa)																																											
0+0,25 bar (0+25 kPa)	25 mbar (2,5 kPa)																																											
-100+100mbar (-10+10 kPa)	20 mbar (2 kPa)																																											
-15+70 mbar (-1,5+7 kPa)	5 mbar (0,5 kPa)																																											
-25+25 mbar (-2,5+2,5 kPa)	2 mbar (0,2 kPa)																																											
-7+7 mbar (-0,7+0,7 kPa)	1 mbar (0,1 kPa)																																											
0+1,3 bar absolute pressure (0+130 kPa ABS)	50 mbar ABS (5 kPa ABS)																																											
0+7 bar absolute pressure (0+700 kPa ABS)	70 mbar ABS (7 kPa ABS)																																											
0+25 bar absolute pressure (0+2,5 MPa ABS)	0,25 bar ABS (25 kPa ABS)																																											
0+70 bar absolute pressure (0+7 MPa ABS)	0,7 bar ABS (70 kPa ABS)																																											
Measuring set range	/..... [required units]	Calibrated range in relation to 4mA and 20mA output																																										
Process connections	/M..... /M(Au)..... /G1/2..... /G1/2(Au)..... /G1/4..... /P..... /P(Hastelloy)..... /GP..... /GP(Hastelloy)..... /CM30x2..... /CM30x2(Hastelloy)..... /CG1"..... CG1"(Hastelloy)..... /CG1/2"..... /1/2"NPTM..... /1/2"NPTF..... /code of diaphragm seal.....	<p>Thread M20x1,5 (male) with Ø3 hole, wetted parts SS316L Thread M20x1,5 (male) with Ø3 hole, gold plated diaphragm (range no. 1, 2, 3, 4) Thread G1/2" (male) with Ø3 hole, wetted parts SS316L Thread G1/2" (male) with Ø3 hole, gold plated diaphragm (range no. 1, 2, 3, 4) Thread G1/4" (male), wetted parts SS316L (Pressure limits: min. 10mbar / max. 400bar)</p> <p>Thread M20x1,5 (male) with Ø12 hole, wetted parts SS316L Thread M20x1,5 (male) with Ø12 hole, wetted parts Hastelloy C 276 Thread G1/2" (male) with Ø12 hole, wetted parts SS316L Thread G1/2" (male) with Ø12 hole, wetted parts Hastelloy C 276 Thread M30x2 with flush diaphragm, wetted parts SS316L (Pressure limits: min. 0,1bar / max. 70bar) Thread M30x2 with flush diaphragm, wetted parts Hastelloy C 276 (Pressure limits: min. 0,1bar / max. 70bar) Thread G1" with flush diaphragm, wetted parts SS316L (Pressure limits: min. 0,1bar / max. 70bar) Thread G1" with flush diaphragm, wetted parts Hastelloy C 276 (Pressure limits: min. 0,1bar / max. 70bar) Thread G1/2" with flush diaphragm, wetted parts SS316L (Pressure limits: min. 2,5bar / max. 300bar) Thread 1/2"NPT Male, wetted parts SS316L Thread M20x1,5 with adapter to 1/2"NPT Female, wetted parts SS316L Diaphragm seal (see chapter of diaphragm seals)</p> <p>Not available with range no. 1, 2</p>																																										
Other specification	/.....	Description of required parameters (e.g. non-standard pr/ connection G3/4", M22x1,5)																																										

**Example :** Pressure transmitter , output 4..20mA + HART, version E xia, nominal measuring range 0..7bar, calibrated range 0..6bar, process connection M20x1,5, electrical connection DIN43650 connector.

**APCE-2000PD/Exia/0..7bar/0..6bar/M**