

FEATURES :
 SS 316 CONSTRUCTION FOR CORROSION RESISTANCE. FULL OR REDUCED BORE FOR EXCELLENT FLOW. FLEXIBLE 3 PIECE DESIGN. ANTI BLOW OUT INTERNALLY LOADED STEM FOR SAFETY. 90° SMOOTH ACTION OPERATION PTFE/POM SEATS FOR EASE OF USE AND MINIMUM MAINTENANCE.

PHYSICAL FEATURES :
 PRESSURE RATING: 400KG/CM²

MATERIAL OPTIONS :

SS 316, CARBON STEEL, BRONZE, HASTALLOY, MONEL ETC.

OPTIONAL KEL-F, POLYAMAN & PEEK PACKING AVAILABLE IN HIGH PRESSURE VALVES.

STANDARDS : BS 5750

TESTS :

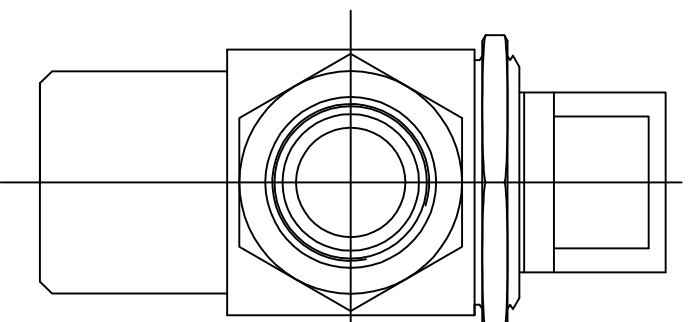
EACH VALVE IS TESTED WITH NITROGEN AT 1000 PSI FOR SEAT AND SEAL LEAKAGE WITH A LEAKAGE RATE OF 0.1 SEC./MIN.

HYDRO TESTS :

PERFORMED WITH PURE WATER AT 1-1/2 LITRES OF THE WORKING PRESSURE. OTHER TESTS LIKE HELIUM, SEMIC ARE AVAILBALE UPON REQUEST.

END CONNECTIONS :

VARIETY OF END CONNECTIONS 1/4" TO 1" NPT, BSP MALE OR FEMALE THREADED OR 1/4", 3/8", 1/2" PANAM SINGLE OR TWIN FERRULE TUBE FITTING ENDS.



MATERIAL OF CONSTRUCTION

Sr.	Description	Qty.	Material
1	BODY	1	ASI 316 SS./CS.
2	BALL	1	ASI 316 SS./CS.
3	PACKING	2	PTFE/POM
4	'O' RING	2	VITON/BUNA-N
5	ADAPTORS	2	ASI 316 SS./CS.
6	SPINDLE	1	ASI 316 SS./CS.
7	'O' RING	1	VITON/BUNA-N
8	PANEL NUT	1	NYLON
9	LOCK PIN	1	ASI 316 SS./CS.
10	GLAND NUT	1	ASI 316 SS./CS.
11	HANDLE	1	ASI 316 SS./CS.

TABLE OF DIMENSIONS

SIZE	L	L1	H	PART NO.
	BSP/NPT			
1/4"	82	36	50	PBV3W4F
3/8"	86	38	50	PBV3W6F
1/2"	92	44	50	PBV3W8F
3/4"	98	48	55	PBV3W12F
1"	110	52	60	PBV3W16F

NOTE : DIMENSIONS ARE FOR REFERENCE ONLY. SUBJECT TO CHANGE.

TITLE:- **3 WAY BALL VALVE(F)**

DRN.	CDC	SCALE	N.T.S.
CHD.		DATE	10.08.2002
APPD.		DRG.NO.	PBV-3XX-FF



PANAM ENGINEERS

AN ISO 9001 : 2000 COMPANY
 MUMBAI - INDIA