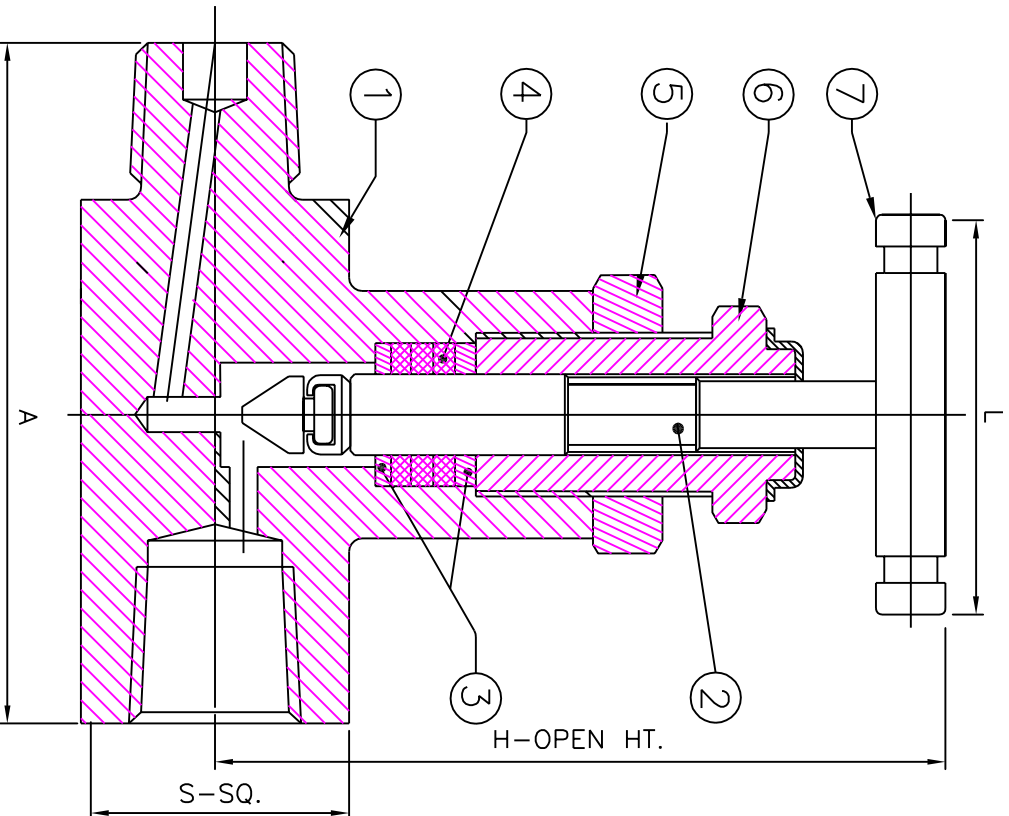


MATERIAL OF CONSTRUCTION

S.NO.	PART NAME	QTY.	MATERIAL
1	BODY	1	A479-316/CS
2	STEM	1	A276-316
3	PACKING WASHER	2	A479-316/CS
4	GLAND PACKING	3	GLASS FILLED PTFE
5	LOCK NUT	1	A479-316/CS
6	GLAND RETAINER	1	A479-316/CS
7	HANDLE	1	STAINLESS STEEL/CS
8	DUST COVER	1	PLASTIC
9	VEE TIP	1	17-4PH



FEATURES :

ONE PIECE BODY CONSTRUCTION FOR HIGH STRENGTH & FULL SAFETY, NO WELDING.
 316 S.S. ONE PIECE BODY CONSTRUCTION FOR SUPERIOR CORROSION RESISTANCE.
 EXCELLENT FLOW REGULATION AND LEAK TIGHT. SLOW OPENING PREVENTS SUDDEN
 PRESSURE SURGE AND INSTRUMENT DAMAGE.

TESTING:

STANDARD TEST:- EACH VALVES IS TESTED WITH NITROGEN AT 1000 PSI FOR SEAT
 & PACKING LEAKAGE, WITH A MAX. ALLOWABLE LEAK RATE OF 0.1 SEC. / MIN.
 HYDRO TEST:- PERFORMED WITH PURE WATER AT 1-1/2 TIMES OF THE WORKING PRESSURE.
 TEMPERATURE AND HELIUM LEAK TESTS ARE AVAILABLE UPON REQUEST.

APPLICATION:-

REFINERIES, LIQUID PETROLIUM GAS, PROCESSING PLANT SYSTEMS DIFFICULT
 TO SHUT OFF DUE TO SOLIDE CONTENTS. DUST. RUST ECT.

NOTES:-

OPTIONAL GRAPHOIL PACKING WITH BALL TIP DESIGN AVAILABLE FOR HIGH TEMPERATURE
 APPLICATION WHICH ENSURE LONG LIFE IN REPETITIVE SHUT OFF SERVICE. SERIES OF END
 CONNECTIONS LIKE MALE/FEMALE NPT,BSP PIPE THREADED ENDS WITH STRIGHT AND
 ANGLE PATTERNS.DIMENSIONS ARE FOR REFERENCE ONLY. SUBJECT TO CHANGE.
 VALVE CAN BE SUPPLIED TO MEET CURRENT REVISION OF NACE MR-01-75.
 (SOURGAS SERVICE)
 MOLLY ANTI-SEIZE LUBRICANT.

TECHNICAL DATA

ORIFICE	Cv	Pr. Rat.	Temp.Rat.
5 mm.	0.22	10000 PSI (700 BAR)	-65 to 200° F (-50° to 93°C)

TABLE OF DIMENSION

SIZE	A	S-SQ.	H-OPEN HT.	L
1/4"	60	25	86	60
3/8"	60	28	86	60
1/2"	82	34	98	98
3/4"	87	38	98	70

TITLE:- " Hp" SERIES NEEDLE VALVE - MF

DRN.	CDC	SCALE	N.T.S.
CHD.	ET	DATE	13-04-02
APPD.	JP	DRG.NO.:	PNV-HP-MF

PANAM ENGINEERS
 AN ISO 9001 : 2000 COMPANY
 MUMBAI - INDIA